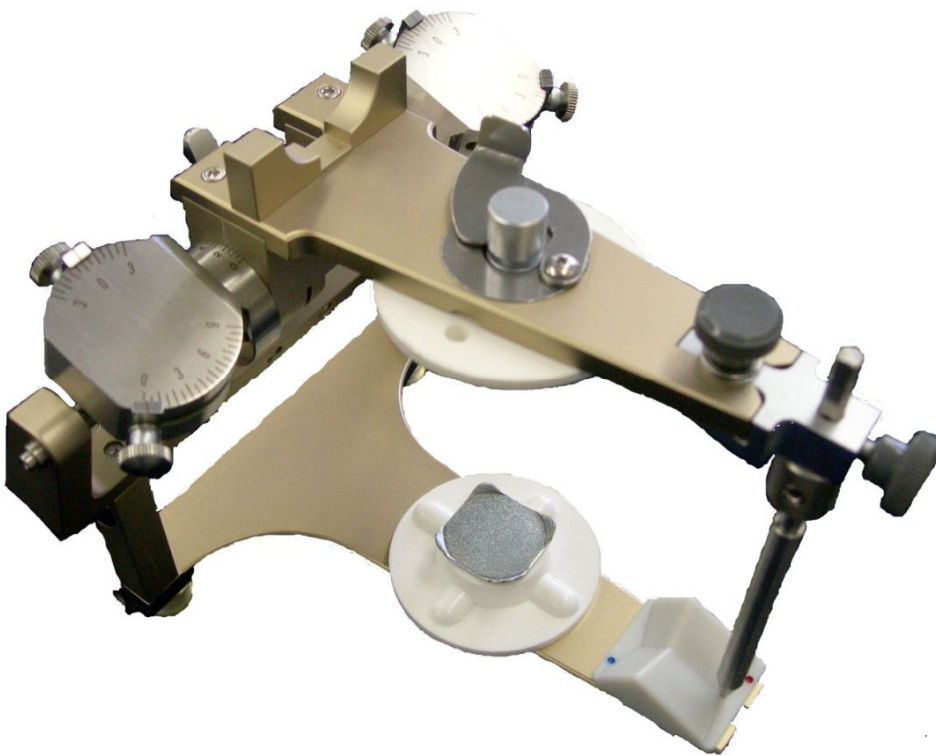
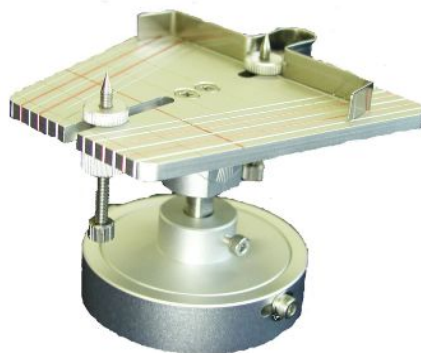
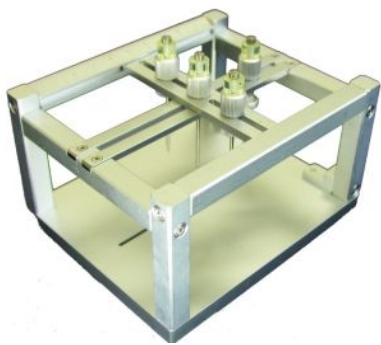


ABE 007 Articulator and the Shilla System

ABE007 Articulator



Esthetic Face-bow



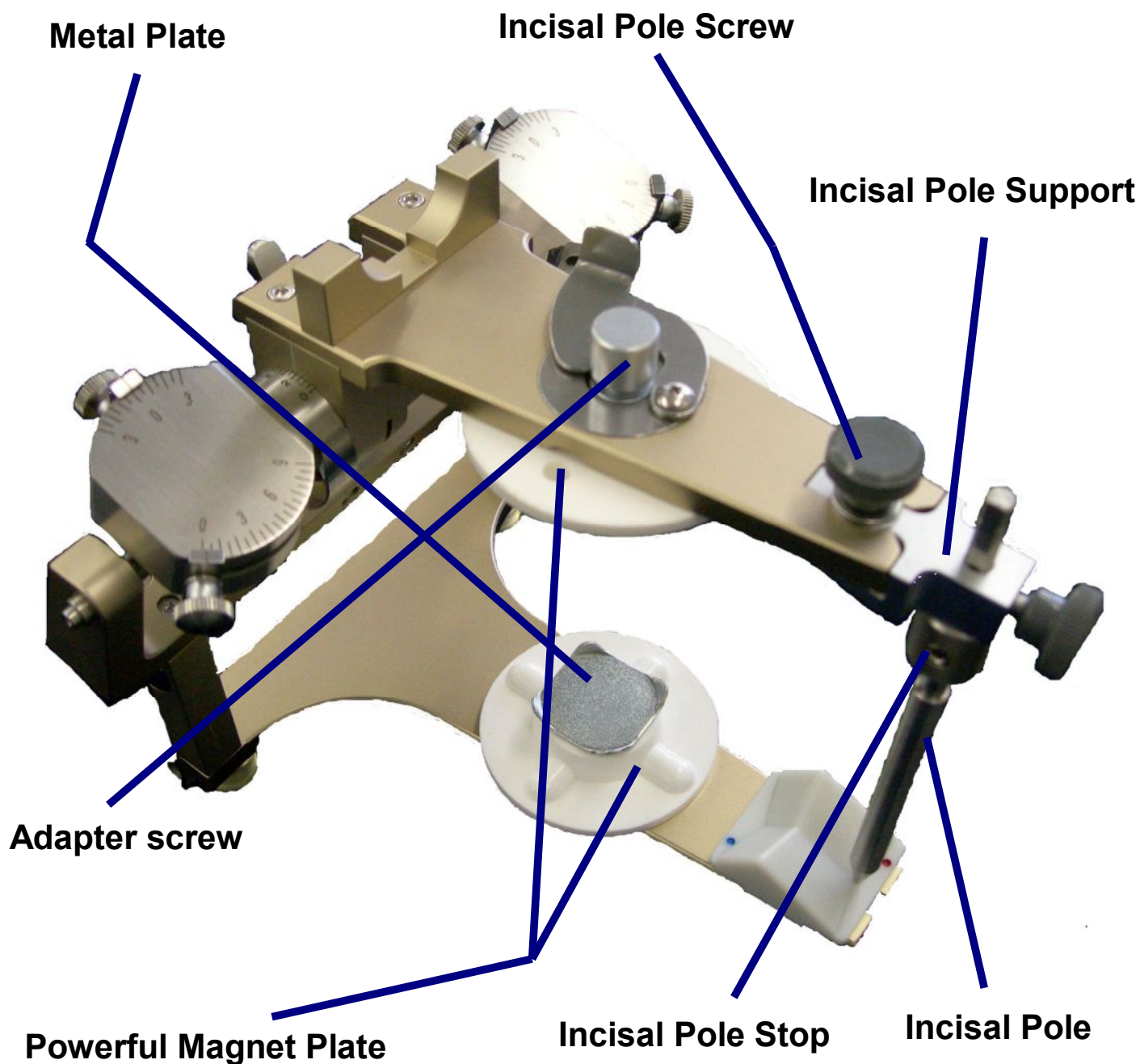
Shilla I
**The Median Sagittal
Plane Analyzer**

Shilla II
**Diagnosis and Establishing
of the Occlusal Plane**

Shilla III
**Diagnosis
and Establishing
of the Occlusal Plane**

ABE007 Articulator

with Powerful magnet plates and Adapter Screws



**Shipped with ABE007
as standard equipment:**



Mounting Plate

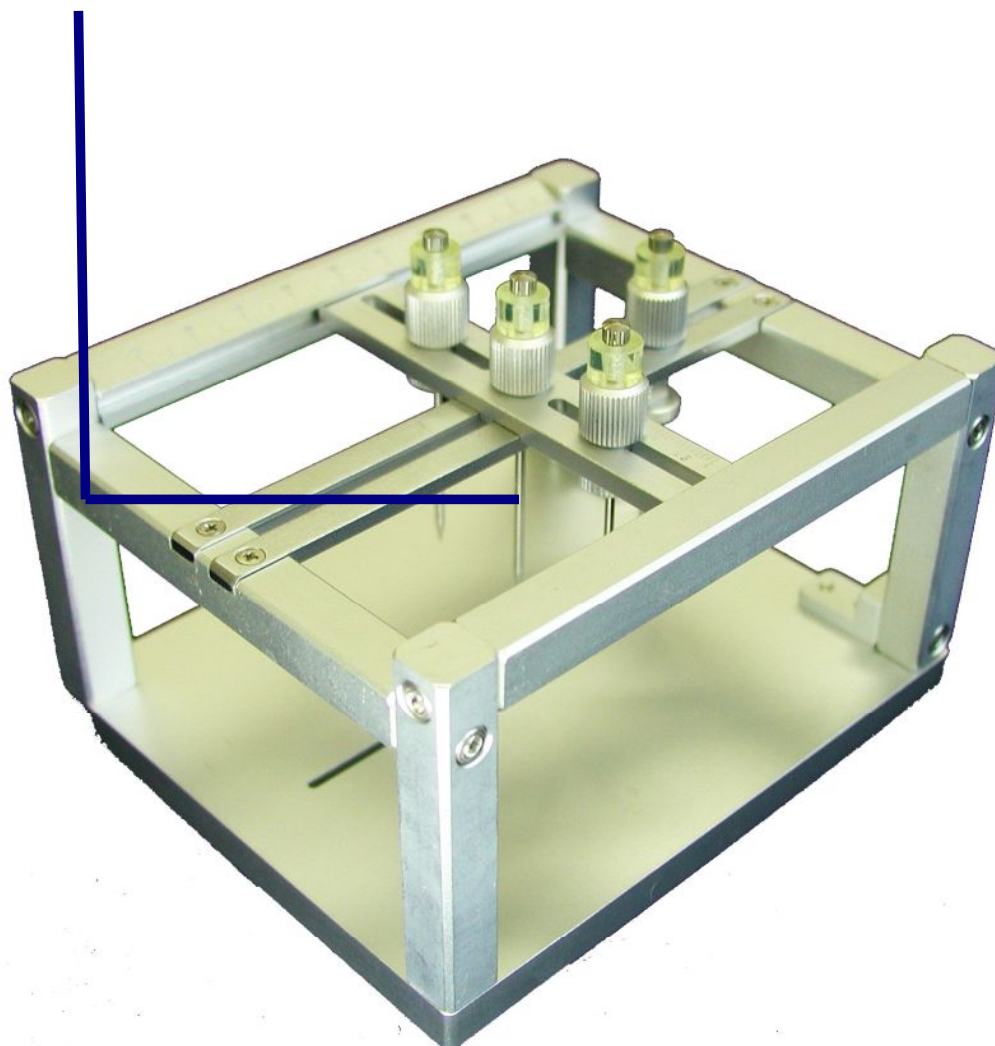


Powerful Magnet Plate

Shilla I

The Median Sagittal Plane Analyzer

Shilla I, Point Pin



Shilla I, Point nut



Shilla I, Point holder



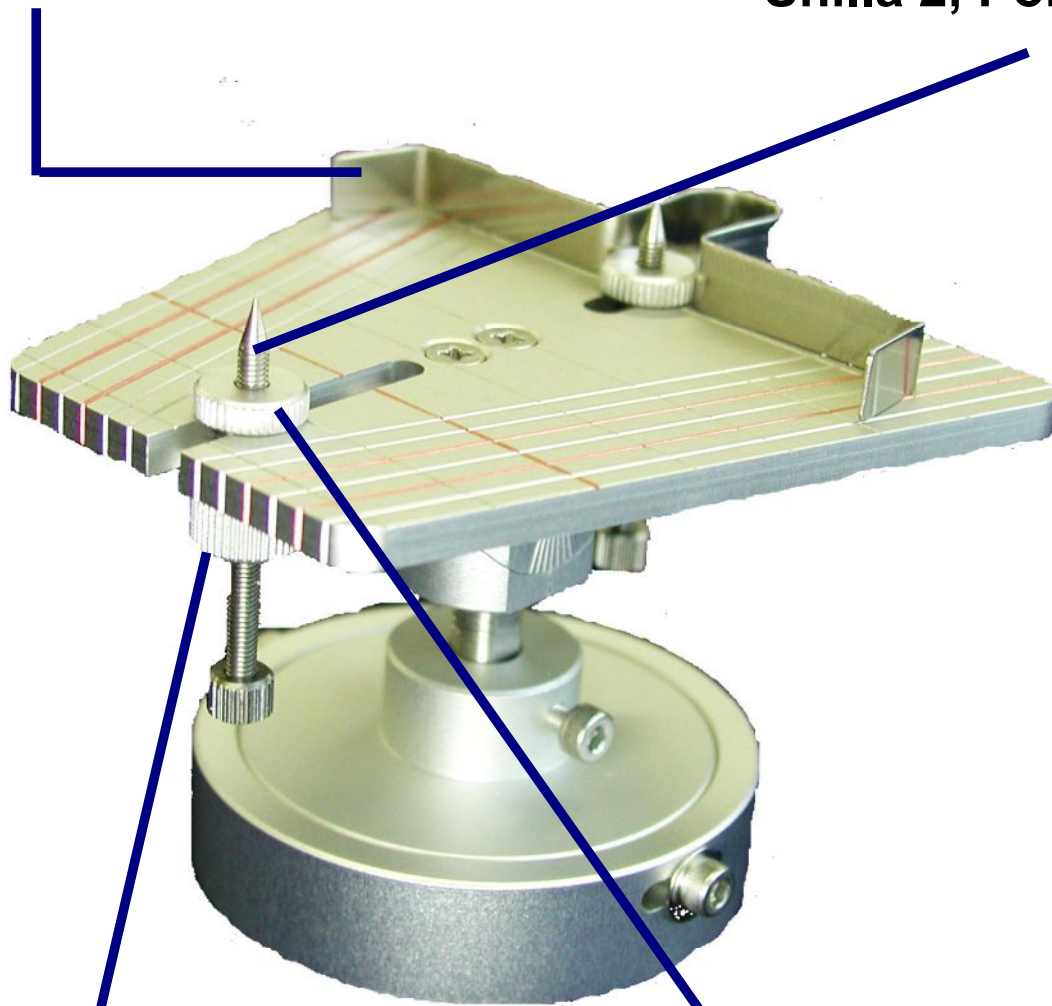
Shilla I, Stopper

Shilla II

Diagnosis and Establishing of the Occlusal Plane

Hamular Notch Support Bar

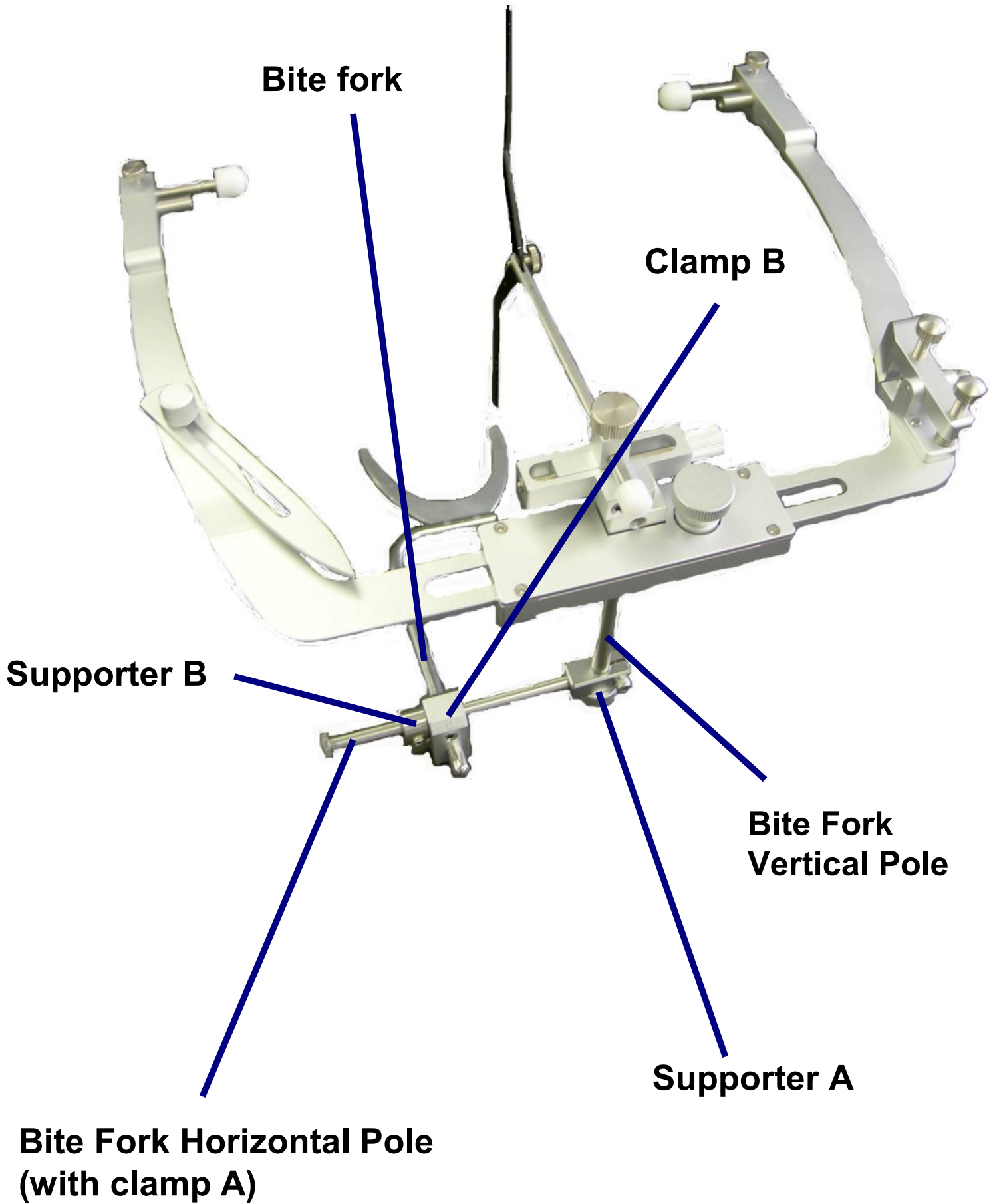
Shilla 2, Point Pin



Shilla 2, Point Holder

Shilla 2, Point Nut

ABE Esthetic Face-bow



Shilla III

Diagnosis and Establishing of the Occlusal Plane



Replacement Jig



Hermans Co., Ltd.

Wakabanishi Bldg. 4F, 1-10-10 Ebisunishi, Shibuya-ku, Tokyo 150-0021 Japan
TEL: +81-3-3770-0863 FAX: 81-3-3770-3569